



Innovation in Packaging & Labels

Optimus[®]

Pallet Wrapping Machine Systems

ORDER NOW!

IN STOCK
Next day delivery



Helping to reduce plastic usage and your carbon footprint

08000 540 100

bonustrading.co.uk

Efficient & Sustainable Pallet Wrapping

Optimus® pallet wrapping solutions help improve load stability while reducing overall plastic usage.

By combining intelligent wrapping technology with high performance Optimus Wrap film, pallets are wrapped consistently, securely, and with less material.

Replacing hand wrapping with an Optimus wrapper removes variability, prevents over-wrapping, and reduces waste, while significantly increasing productivity and operator comfort.

Our advanced systems are designed to deliver repeatable results every time, helping businesses cut costs, lower plastic consumption, and support sustainability goals without compromising performance.



Why Optimus is a greener choice

- ✓ Reduced plastic usage through controlled film application
- ✓ High-performance Optimus Wrap film for maximum efficiency
- ✓ Consistent wrapping reduces waste and product damage
- ✓ Supports ESG and sustainability objectives
- ✓ Lower carbon impact through material reduction

Contact us with any enquiries

☎ **08000 540 100**
 ✉ **sales@bonustrading.co.uk**

In stock, delivered fast

Optimus pallet wrappers are available from stock for next-day delivery.

Leasing and Zero Capital Expenditure options mean you can upgrade your wrapping process quickly, with no upfront cost.

See procurement details on page 14.



**Order today.
 Next day delivery
 available.**

Optimus® Wrapper Free Demos

Ask us for a free on-site demonstration. We bring the Optimus wrapper to you so you can experience the benefits of a more efficient wrapping system.

Choose a turntable or robot machine. You can keep the wrapper for a few days, with a free roll of film, to carry out a full trial.

See first-hand how Optimus can increase productivity and speed up your daily operations.

Contact us now to arrange a demo

Book online



See terms & conditions at bonustrading.co.uk



Turntable Wrappers	4
Slotted Base Turntable Wrappers	6
Robot Wrappers	8
Rotary Arm Wrappers	10
Floor Plans	11
Options & Extras	12
Procurement Options	14
Pallet Wrap Film	16
The Ultimate Wrapping System	18

Optimus[®] 150M Wrapper Turntable

ORDER NOW! From only **£3,350**

...or from **£115** per month*

IN STOCK
Next day delivery

Standard machine with mechanical brake. Perfect for low volume wrapping.

Semi-automatic with up to 6 program settings.

If your operations are growing fast, and you're looking to transition from hand wrapping to machine wrapping, then our Optimus 150M pallet wrapper is the best machine for you.

Our turntable machines provide highly efficient wrapping and predictable load stabilisation, bringing maximum safety when handling unstable loads.

Manual adjustable film stretch



The 150M is a reliable and great value machine, which is ideal for warehouse operations with a limited number of pallets to be wrapped.



All of our turntable machines allow for multiple recordable program settings, these can be used for setting specific wrap cycles perfectly suited to your requirements.

See procurement options on page 14



1-20

Recommended to replace hand wrapping 1-20 pallets per day

Ask us for a free demo



Details

- Turntable diameter 1650mm
- Max. load weight 2000kg
- Min. load size 500 x 500 x 500mm
- Max. load size 1000 x 1200 x 2200mm
- Mechanical brake carriage
- Manual adjustable film stretch
- Adjustable turntable speed 5-12rpm
- Up to 6 program settings
- Altimeter and photocell delay
- Height detection photocell
- Recommended if you currently hand wrap 1-20 pallets per day

Optional Extras

- Taller mast for a max. load height of 2400mm
- More options include ramps, photocell, grounding frame and base plates for pallet truck loading.

Book demo or order
SCAN HERE



* Prices exclude VAT, correct at time of printing and subject to change.

Optimus[®] 250E Wrapper Turntable

ORDER NOW! From only **£4,850**

...or from **£165** per month*

IN STOCK
Next day delivery

High performance wrapper with power pre-stretch and electromagnetic brake.

Semi-automatic with up to 6 program settings.

This power pre-stretch motorised, semi-auto pallet wrapper is ideal for busy, demanding operations. With the latest technology, the Optimus 250E is an efficient, user-friendly machine, securing your loads with ease.

The wrapper offers exceptional speed for high volume orders, with fast securing of numerous loads per day. Like all of our turntable wrappers, multiple recordable programs can be used to set specific wrap cycles.

Efficient power pre-stretch wrapping



The carriage is fitted with a pre-stretching system fixed at 250%. Force to the load is controlled by a load cell and adjustable from the control panel.



Optimus turntable wrappers come with a simple-to-use control panel, featuring an OLED display and membrane keypad.

See procurement options on page 14



30+

Recommended to replace hand wrapping 30+ pallets per day

Ask us for a free demo



Details

- Turntable diameter 1650mm
- Max. load weight 2000kg
- Min. load size 500 x 500 x 500mm
- Max. load size 1000 x 1200 x 2200mm
- 250% power pre-stretch (PPS) carriage
- Potentiometer adjustable film stretch
- Adjustable turntable speed 5-15rpm
- Up to 6 program settings
- Altimeter and photocell delay
- Height detection photocell
- Recommended if you currently hand wrap over 30 pallets per day

Optional Extras

- Taller mast for a max. load height of 2400mm
- More options include ramps, photocell, grounding frame and base plates for pallet truck loading.

Book demo or order
SCAN HERE



* Prices exclude VAT, correct at time of printing and subject to change.

Optimus® T150M & T250E Wrapper Turntable

ORDER NOW! T150M
£5,890 ...or from
£200 per month*

T250E
£7,850 ...or from
£270 per month*

Turntable pallet wrappers with slotted base for easy loading with pallet trucks.

All the excellent benefits and features of our turntable wrappers, with added convenience.

See procurement options on page 14

Ask us for a free demo



- T150M**
- Mechanical brake carriage
 - Manual adjustable film stretch

- T250E**
- 250% power pre-stretch (PPS) carriage
 - Potentiometer adjustable film stretch

Load pallets without a ramp. Ideal for smaller spaces.

Models in the Optimus Wrapper T Range are fitted with a slotted base, suitable for most pallet trucks, making wrapping your loads even simpler.

Ground level access allows for loading and unloading without the need for a forklift or a ramp. With the T Range, machine wrapping is possible in smaller warehouses, even those with very limited space and no forklift.

Details

- Slotted base for pallet truck loading
- Turntable diameter 1650mm
- Max. load weight 2000kg
- Min. load size 500 x 500 x 500mm
- Max. load size 1000 x 1200 x 2200mm
- Adjustable turntable speed 5-12rpm
- Up to 6 program settings
- Altimeter and photocell delay
- Height detection photocell

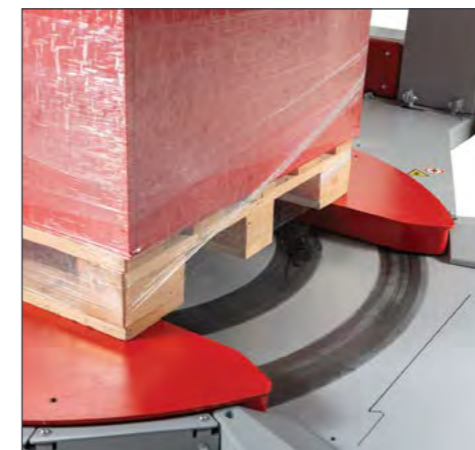
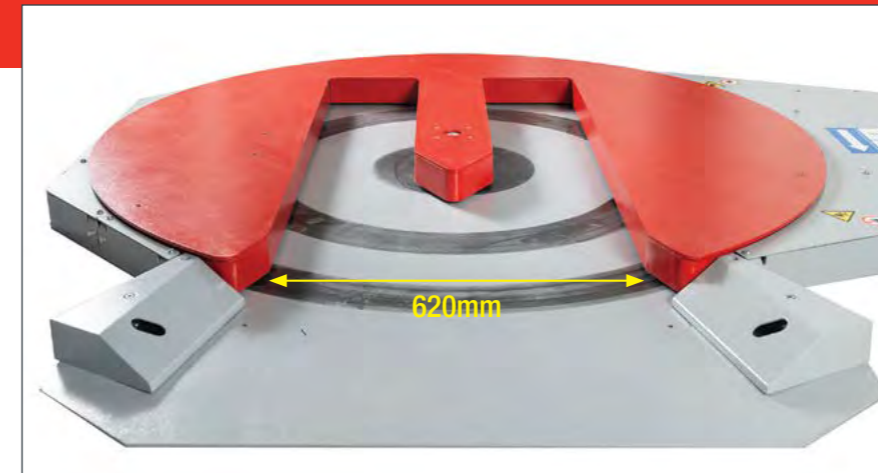
Optional Extras

- Taller mast for a max. load height of 2400mm
- Photocell for wrapping dark products

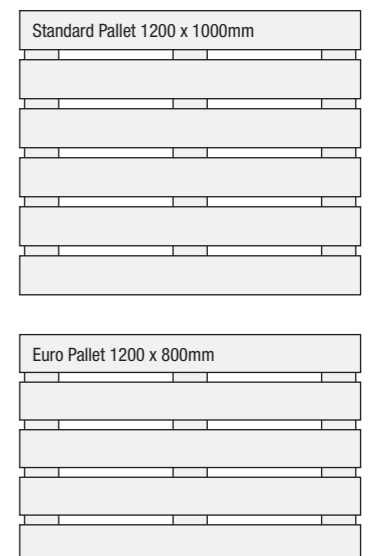
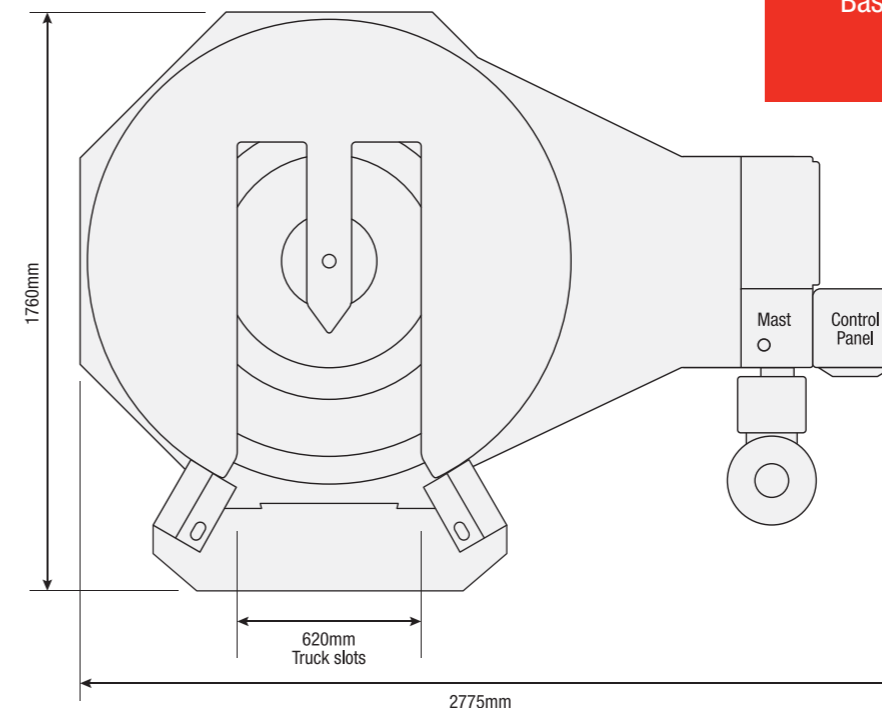
RANGE MODELS

- 6616189 T150M Wrapper - Standard / Mechanical Brake**
6616190 T250E Wrapper - Power Pre-Stretch

Book demo or order
SCAN HERE



Suitable for standard and Euro pallets. Base slots are sized for easy loading with most pallet trucks.



* Prices exclude VAT, correct at time of printing and subject to change.

Optimus[®] 150MRE Wrapper Robot

ORDER NOW! From only **£4,650**

...or from **£160** per month*

IN STOCK
Next day delivery

Self propelled robot wrapping machines are ideal if you need automated wrapping at multiple locations in the warehouse.

Robot pallet wrapping machine with up to 6 program settings.

Not limited by turntable size, Optimus robot pallet wrappers can secure much wider loads.

Optimus robot machines are easy to use, have operating flexibility and good productivity. This makes them an ideal wrapper for all companies.

Increase productivity with next generation wrappers

These are industrious next generation robots, specifically developed and constructed to meet a wide variety of load wrapping needs. Designed to nimbly move in all industrial contexts, even on irregular surfaces.

Optimus robots are dependable and efficient, they easily stabilise lightweight, fragile, deformable, and irregular loads. They'll apply wrap with smooth, easy movement thanks to movement rudders.

Each charge can provide approx. 10 hours of typical use, providing you with perfectly wrapped pallet loads all day.



See procurement options on page 14



Ask us for a free demo

Details

- Min. load size 600 x 600 x 500mm
- Max. height, including pallet 2200mm
- Wrap loads of any width or length
- Up to 6 program settings
- Film carriage speed controls
- Space is required around the pallet for the robot to move around the pallet sufficiently
- Manual adjustable film stretch
- Mechanical brake carriage
- Control panel with display
- Safety bumpers
- Self propelled, wraps loads in different locations

Optional Extras

- Photocell for wrapping dark products

Book demo or order
SCAN HERE



6616184 150MRE Robot Wrapper - Standard / Mechanical Brake

* Prices exclude VAT, correct at time of printing and subject to change.

08000 540 100

bonustrading.co.uk

Optimus[®] 250ER Wrapper Robot

ORDER NOW! From only **£7,550**

...or from **£260** per month*

IN STOCK
Next day delivery

For fast and efficient securing of any sized load, this high performance robot delivers power pre-stretch wrapping.

Robot pallet wrapping machine with up to 10 program settings.

With all the features of the 150MRE and more, the Optimus 250ER robot pallet wrapper is the ultimate solution to all your wrapping needs.

Robot wrappers are simple to operate, with great flexibility and fantastic productivity. If you need to wrap oversized loads or heavy pallets, then look no further.

Consistent and perfectly wrapped pallets

Meeting a wide variety of load wrapping needs, the 250ER will consistently secure your loads. Irregular surfaces are no problem, and each charge can provide approx. 10 hours of use.

The control panel features a 3.5" colour display and allows full management of settings, including power pre-stretch film tensioning.

Dependable and efficient, this machine will stabilise lightweight, fragile, deformable, and irregular loads with smooth, easy movement thanks to movement rudders.



See procurement options on page 14



Ask us for a free demo

Details

- Min. load size 600 x 600 x 500mm
- Max. height, including pallet 2200mm
- Wrap loads of any width or length
- Up to 10 program settings
- Film carriage speed controls
- Space is required around the pallet for the robot to move around the pallet sufficiently
- Power pre-stretch (PPS) film tensioning
- Film stretch adjustable from control panel
- Control panel with 3.5" colour display
- Safety bumpers
- Self propelled, wraps loads in different locations

Optional Extras

- Photocell for wrapping dark products

Book demo or order
SCAN HERE



6616263 250ER Robot Wrapper - Power Pre-Stretch

* Prices exclude VAT, correct at time of printing and subject to change.

08000 540 100

bonustrading.co.uk

Optimus[®] Rotary Arm Wrapper

ORDER NOW! Contact us for our latest machine deals

Perfect for unstable or heavy loads - rotating the film instead of the pallet.

Semi-automatic with up to 12 program settings.

Improve productivity in any busy warehouse or distribution depot, with an Optimus rotary arm pallet wrapping machine.

Ideal for integrated solutions, your pallet loads will be quickly and efficiently wrapped ready for shipping. The 7" touch screen allows numerous programmes to be customised, adapting to any packaging requirement.

Choose from our range of semi-automatic models including options with automatic clamp-cut film spreading system / welding system.

For precise control of film stretch, choose the dual variable pre-stretch motor system. The independent roller control ensures optimal film tension, automatically adapting to different load types. The system provides smooth, consistent wrapping without film breakage or load distortion, even at high speeds.



Options include a counterweight to ensure your machine is balanced, needed if you won't be fixing the base to the floor.



See procurement options on page 14



Details

- Min. load size 400 x 400 x 500mm
- Max. load size 1400 x 1400 x 2000mm
- Up to 12 program settings
- Height detection photocell
- Rotation speed 7-12rpm
- 7" touch screen control panel
- Wraps pallets at floor level
- Rotary arm moves around a static load
- Pre-stretch film options (250EA)
- Ideal for integrated solutions

Optional Extras

- Photocell for wrapping dark products
- Counterweight

RANGE MODELS

- 6616191** 150EA Rotary Arm Wrapper - Electromagnetic Brake
- 6616192** 250EA Rotary Arm Wrapper - PPS
- 6616193** 250EA+ Rotary Arm Wrapper - PPS (Dual Variable)

SCAN HERE



Optimus[®] Floor Plans

See exactly how it fits before you decide

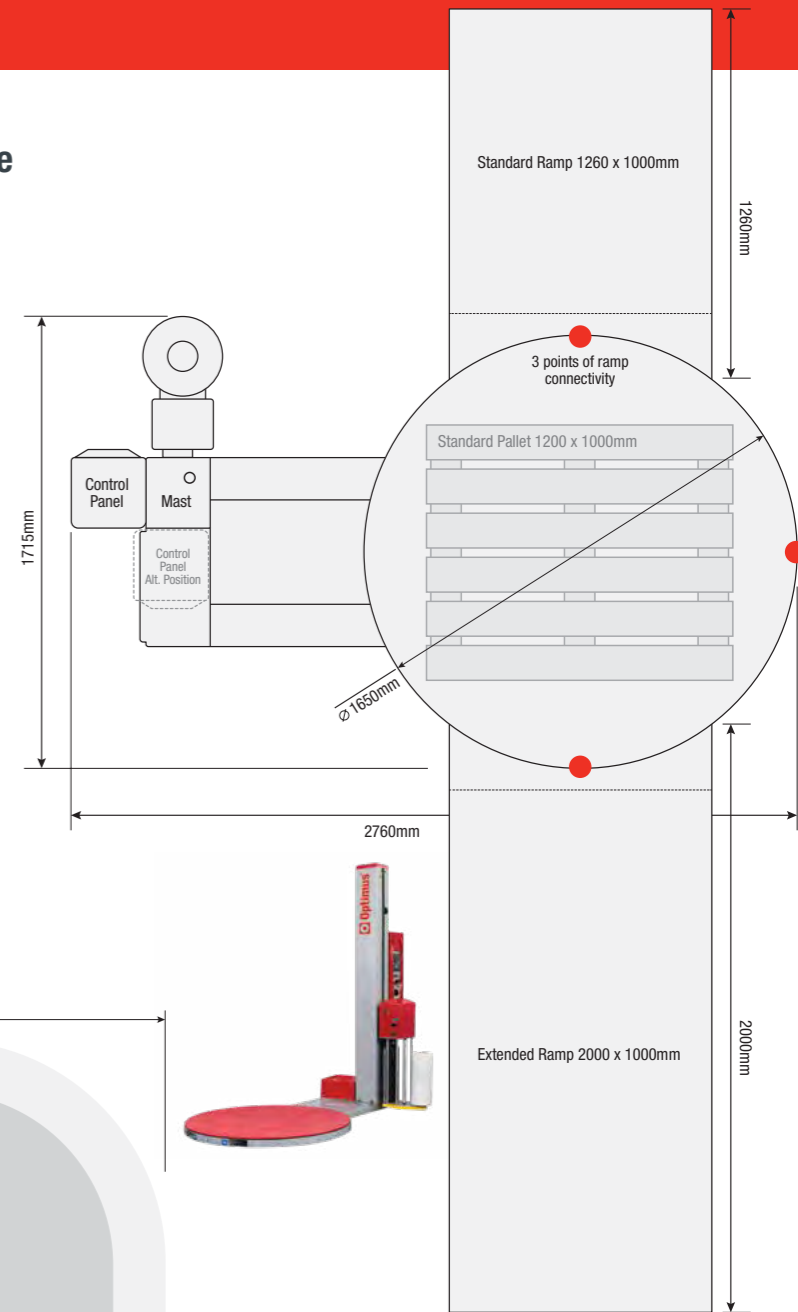
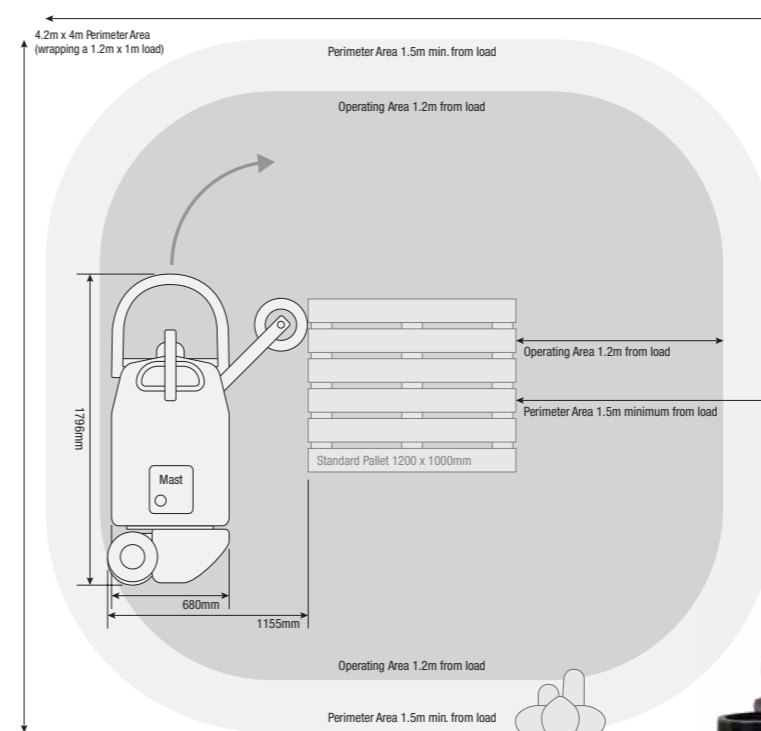
Not sure if you have the space for a pallet wrapper? We remove the guesswork.

When we visit your site, we bring life-size (1:1 scale) floor plans for both turntable and robot pallet wrappers, allowing you to see precisely how the machine will fit and operate within your warehouse environment.

These full-scale layouts clearly show the machine footprint, working area, and clearance requirements, helping you visualise operator movement, pallet flow, and surrounding equipment before installation.

On-site demonstration, zero risk

- Full-size floor plans brought to your site
- Exact space and operating requirements shown
- Ideal for confirming robot travel paths and turning
- Helps avoid layout changes after installation
- Confidence before committing to a machine



Book a demo. We'll bring our full size floor plans with us, so you can see the space requirements clearly & make informed decisions.

Loading Ramps

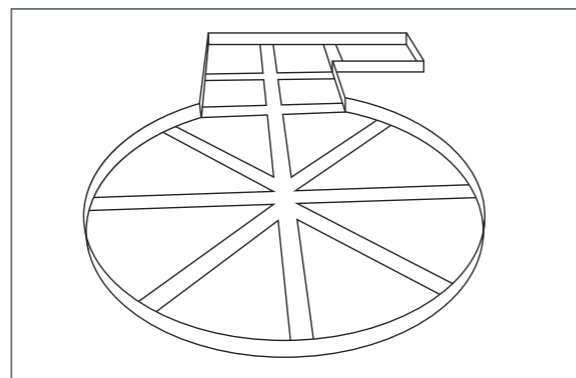
Ramp options include standard or extended, with stronger ramps available for heavier loads. Ramps can connect to turntables in 3 different locations.

- 6616199** Std. 1.3m x 1m, 1000kg, 1650mm dia.
- 6616200** Std. 1.3m x 1m, 2000kg, 1650mm dia.
- 6616201** Ext. 2.0m x 1m, 1000kg, 1650mm dia.
- 6616202** Ext. 2.0m x 1m, 2000kg, 1650mm dia.



Low Profile Base Plate

We can supply wrappers with a low profile base plate, designed for effortless loading and unloading from nearly any angle. Contact us for details.



Grounding Frame

For setting base plates at ground level during warehouse floor construction, removing the need for a ramp.

- 6616197** 1650mm dia. Grounding Frame

Photocell

All wrappers can be fitted with a standard or dark sensitive photocell. For dark & shiny products, or when using dark film, you may need a photocell capable of sensing these loads more accurately.

- 6616198** Dark Sensitive Photocell (Turntable)
- 6616258** Dark Sensitive Photocell (Robot)

Mast

Increase max load height with a taller 2.4m mast.



Ask us for more information about all available wrapper machine options

Add a service package for long-term support

We'll visit every 6 or 12 months to ensure your wrapper is operating at top performance.



View service packages
SCAN HERE



We can provide wrapper delivery, installation & training

All you need to start using your new machine, including set up, checks and operator training.

Turntable Wrapper Control Panel

All Optimus wrappers can be operated with a user friendly control panel.

- Up to 6 program settings
- OLED display
- Soft touch membrane keypad
- Upward-downward carriage speed
- Top and bottom reinforcement wraps
- Film tension / auto tensioning
- Control turntable speed
- Ergonomic carriage stop at end of the cycle
- Altimeter and photocell delay
- Remote wifi connection (option)
- Upward-downward cycle
- Only upward cycle
- Top sheet cycle
- Manual cycle
- Self learning cycle
- Eco cycle

Integrated Weigh Scales

We can supply your machine with weigh scales and control panel read-out, improving efficiencies in the packing/palletising process.

This is a costed additional option for turntable wrappers. Includes weigh scales, display and a higher ramp. A label printer can also be added, making the dispatch process even simpler.

Weigh scales read-out display (optional)



Integrated System Solutions

Wrappers can be supplied to meet your requirements, ready for use in your integrated line process.



Need high hygiene wrappers?

Ask us about stainless steel and freezer machines, ideal for food distribution and low temperature environments.

Contact us now!

Get in touch to discuss your requirements



Order your wrapper now!

It's never been easier to start using a new pallet wrapping machine.

IN STOCK
Next day delivery

0.00
£ ZERO CAPEX
Zero Capital Expenditure

With **no upfront costs**, our Zero Capex offer allows you to **lease a wrapper for free** through an agreement for a regular supply of machine film (min. purchase applies). *Free machine and ramp hire.*

A great option for medium and high volume film users. Use your budget to order Optimus Wrap, and hire the machine for free.

✓→
£ BUY NOW

Pay in full and purchase your wrapper machine now. You may be able to deduct the full purchase cost from your yearly profits to **reduce your tax**.

Paying in full often suits high volume users and those looking to upgrade to a higher spec pallet wrapping machine.

✓=|
£ LEASING

You choose the number of months for leasing your pallet wrapper. Ask us about monthly costs.

Leasing is a cost-effective and flexible solution, offering more savings through tax benefits.

Get in touch with any questions. We can help you choose the most suitable wrapper and payment option.

Contact us today to order your machine

Zero Capital Expenditure

High-performance pallet wrapping without the upfront cost.

Our Zero Capital Expenditure (ZCE) agreement is a flexible and cost-effective way to introduce an Optimus pallet wrapping machine into your operation, with no initial capital investment.

We provide the machine free of charge for an agreed term. In return, you commit to purchasing the required machine film exclusively from Bonus Trading for the duration of the agreement.

This approach allows you to automate your pallet wrapping immediately, while spreading costs through everyday consumables rather than capital expenditure.

£ ZERO CAPEX

- No upfront machine cost
- Predictable, manageable costs
- Immediate productivity gains
- Optimised film performance
- Minimal financial commitment

*Minimum purchases apply.
The Optimus machine remains the property of Bonus Trading throughout the agreement term.*



Ask us about our latest procurement deals!

Call 08000 540 100

“

A total game changer!

Pallet wrapping used to be tedious and time consuming for us. The Optimus pallet wrapping machine has wholly transformed the process. It has been a total game changer.

We noticed an immediate improvement in the efficiency and quality of our wrapped pallets.

The installation process was handled professionally, making sure everything was working & demonstrating the features so our operators were comfortable with it immediately.

It stands out as sturdy and durable, you can tell it's built to last. We've been running it nonstop during busy periods, and it hasn't let us down. What used to take hours now only takes a fraction of the time, and the wraps are always secure and consistent.

Bonus Trading supplies us with the most suitable wrap film to achieve the best results. It's been much more cost-effective than I expected because **we're using less film but still getting perfectly wrapped pallets every time.**

I'm really happy and would highly recommend.

MANAGER - DISTRIBUTION WAREHOUSE

Pallet wrap for ultimate yield and efficiency

Machine pallet wrap plays a vital role in stabilising and protecting goods during storage and transit. While plastic remains essential for load security, there are smarter ways to wrap.

With Optimus Wrap, you can achieve superior load stability and protection while significantly reducing overall plastic usage.

Optimus helps lower costs, minimise waste, and support ESG objectives through measurable improvements in material efficiency and environmental impact.



Ask us for a demo

Each layer of the multi-layered film is engineered to perform a specific role, delivering outstanding load containment, puncture resistance, and consistent wrapping performance.

The intelligent film structure maximises strength and efficiency, allowing pallets to be securely wrapped with less material while maintaining high standards of protection throughout storage and transit.

Standard or Power Pre-Stretch film.
Sold per roll, 500mm wide, 16kg.

Optimus® Eco

30% recycled content.
Exempt from Plastic Packaging Tax.

1816059	Optimus Eco X	PPS film
1816060	Optimus Eco X2	PPS film
1816057	Optimus Eco X5	PPS film
1816061	Optimus Eco X7	PPS film
1816062	Optimus Eco XX	PPS film
1816055	Optimus Eco XX3	PPS film

Optimus® X

High yield wrap, protects and secures loads with less plastic.

1816030	Optimus X2	PPS film
1816041	Optimus X2S	Standard film
1816040	Optimus X5S	Standard film



- ✓ High performance
- ✓ Higher yield per roll (& kg)
- ✓ Wrap more pallets per roll
- ✓ Reduce plastic waste
- ✓ Reduce costs

Order Optimus now or book a wrap audit. Call us or visit bonustrading.co.uk

SCAN HERE



Stabilise pallets with less film & less plastic waste

Optimus wrap will help reduce your plastic use, while still providing the strong hold and security that your goods need.



Regular pallet wrap
168g



Optimus® Wrap
91g

Waste reduction ↓ 46%

Book a FREE pallet wrap audit

You could make huge gains with high yield films, bringing down usage by up to 50% without any loss of performance, resulting in cost savings and a reduction in your carbon footprint.

Book a no-obligation pallet wrap audit. We often show that...

- Thicker film doesn't always mean stronger
- More wrap layers isn't always better
- Cheaper roll prices may not be lower cost

Audits include:

- Wrap comparison tests
- Full report and analysis
- Recommendations and advice
- Projected savings in costs and time
- Reduction in plastic waste



Up to 50% saving

Call or book online at bonustrading.co.uk

Optimus® High Performance TOP SHEETS

6616165
Dispenser Stand

High performance pallet top sheets and dispenser are part of the full Optimus wrapping system.

Keep your sheets stored upright, clean and damage free. With smooth and easy dispensing as needed.

Ask us for a demonstration.



Everything you need to start wrapping faster & more efficiently

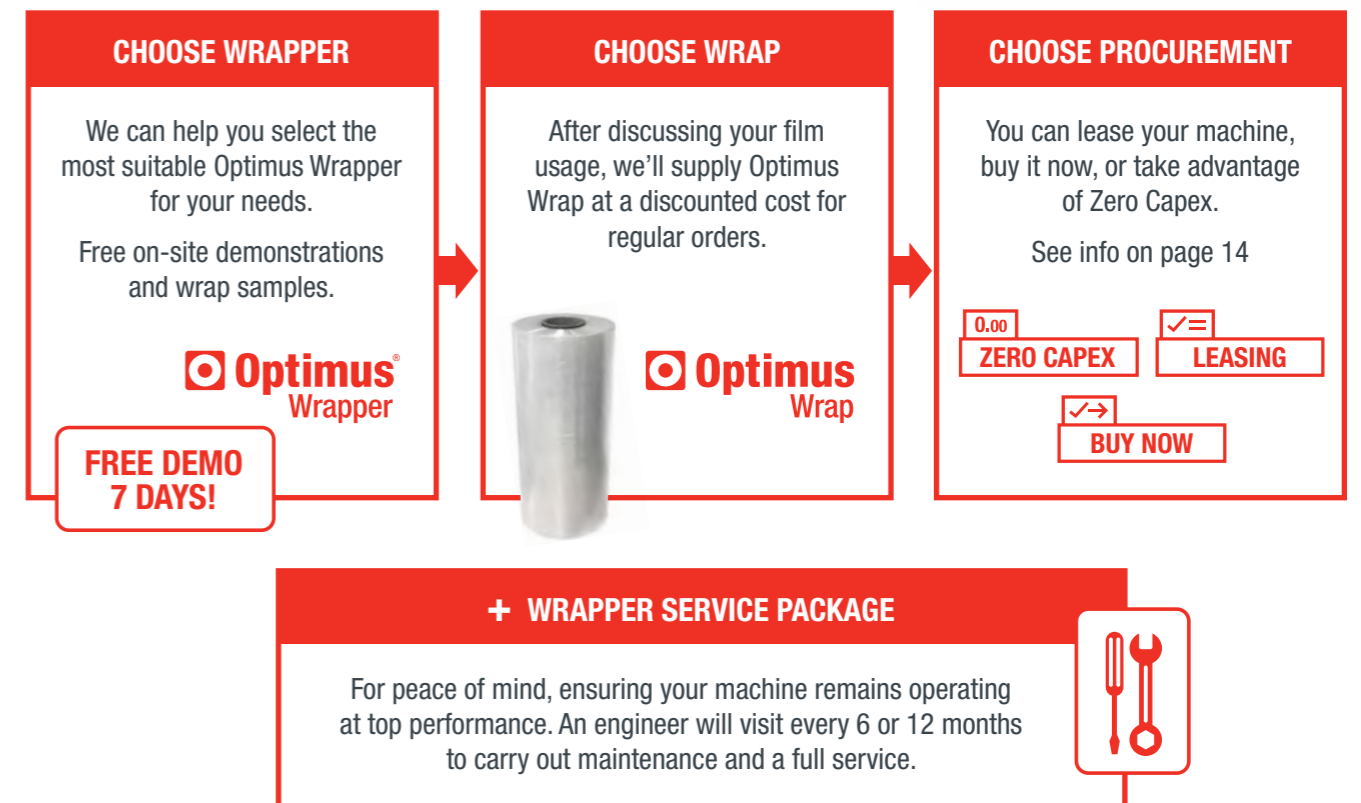
Discover how much you could save.
Get in touch today!



- Demo an Optimus® Wrapper machine for 7 days
- Order, lease or procure with Zero Capex
- Add a fully inclusive service package
- On-site operator training
- Free Optimus® Wrap samples
- High yield wrapping
- Reduce plastic
- Reduce carbon footprint
- Increase productivity



We make pallet wrapping simple...



Contact us now to discuss your wrapping needs or arrange a free demo



Pallet Wrapping Machine Systems



Innovation in Packaging & Labels

 **08000 540 100**

 **sales@bonustrading.co.uk**

Bonus Trading UK Ltd
Trading House, Harvard Industrial Estate, Kimbolton, Cambs PE28 0NJ

Registered in England No. 8151258. VAT Registration No. GB 847 1197 10

08000 540 100

bonustrading.co.uk